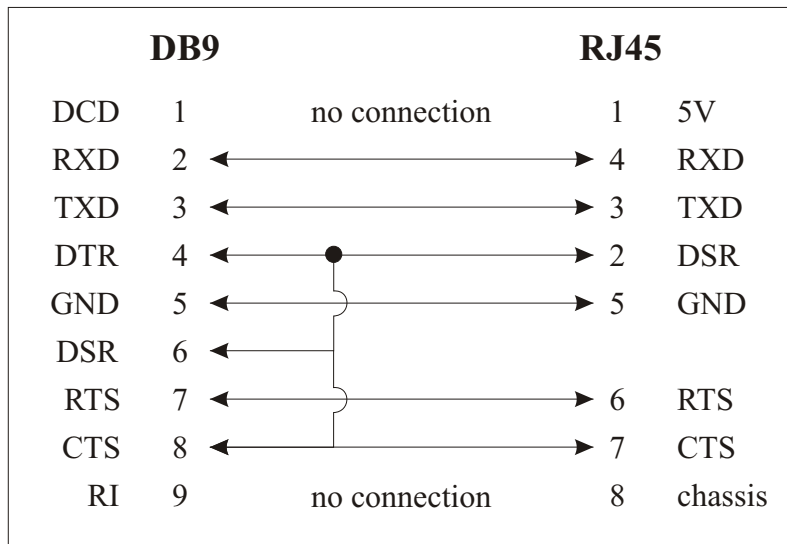


# Niobrara MM19 Cable

The Niobrara MM19 Cable is an RS-232 serial data cable intended to be used to connect a COM port of a NR&D QUCM to a digital multi meter. This cable gives the QUCM a 9-pin male RS-232 port with the same pinout commonly found on personal computers, except pins 4, 6 and 8 are all jumpered together. One end of the cable is fitted with an RJ45 plug for connection to a COMM port of the QUCM; the other end terminates in a male DB9 connector for connection to the serial port of the other device.

## Configuration

The pinout for the MM19 is as follows:



## Installation:

Connect the RJ45 end of the MM19 cable to a COM port of the QUCM. Connect the 9-pin DB9 end of the adapter to the serial port of the other RS-232 device. Refer to the instructions for the connected devices.

[www.niobrara.com](http://www.niobrara.com)