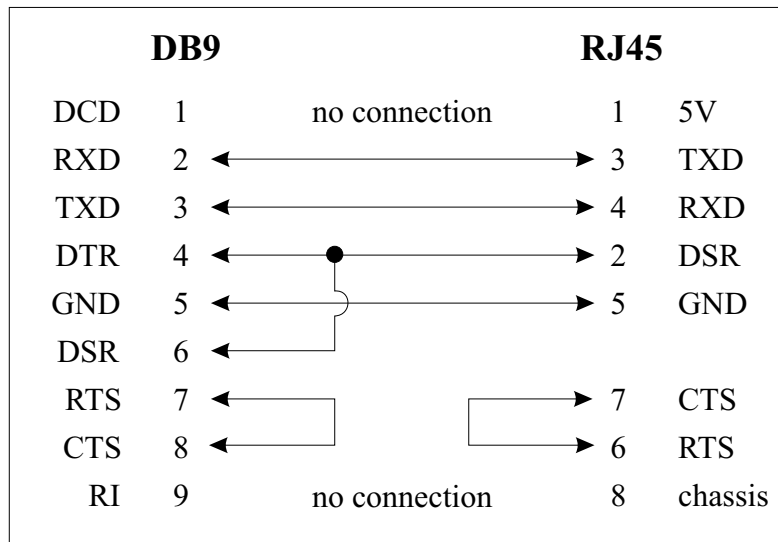


Niobrara MM2 Cable

The Niobrara MM2 Cable is an RS-232 serial data cable intended to be used to connect an operator interface such as a Spectrum Controls® SOI-120 to a Modicon® Micro PLC. One end of the cable is fitted with an RJ45 plug for connection to the COMM 1 port of the PLC; the other end terminates in a male DB9 connector for connection to the serial port of the SOI-120. The MM2 can also be used to connect a Modicon Micro PLC to a Modicon BM-85 or other Modbus® device.

Configuration

The pinout for the MM2 is as follows:



Installation:

Connect the RJ45 end of the MM2 cable to the COMM 1 port of the Modicon Micro PLC. Connect the 9-pin DB9 end of the adapter to the serial port of the SOI-120 or other device.

NOTE:

When using the MM2 for connection to an SOI-120, make sure that switch number 6 on the SOI-120 is in the proper position.