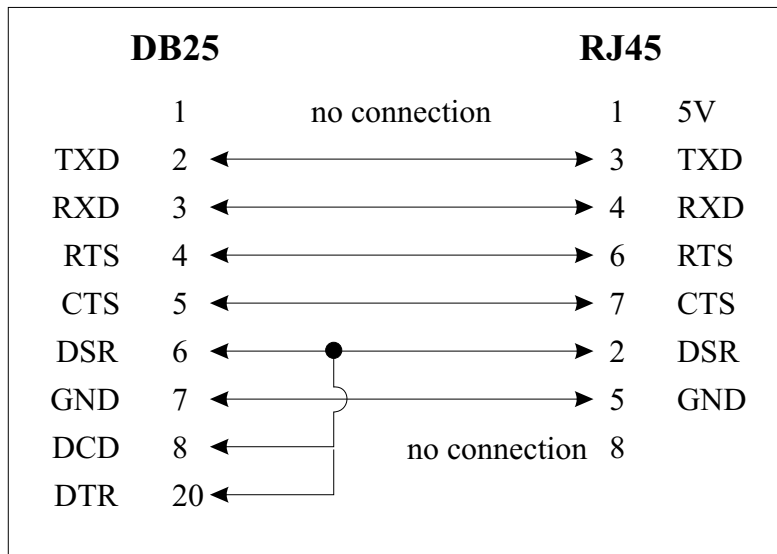


Niobrara MM4 Cable

The Niobrara MM4 Cable is an RS-232 serial data cable intended to be used to connect a DCE device such as a modem or Cutler-Hammer® MINT II to a Niobrara QUCM. One end of the cable is fitted with an RJ45 plug for connection to a serial port of the QUCM; the other end terminates in a male DB25 connector for connection to the serial port of the modem or MINT II.

Configuration

The pinout for the MM4 is as follows:



Installation:

Connect the RJ45 end of the MM4 cable to a serial port of the QUCM or other appropriate device. Connect the 25-pin DB25 end of the adapter to the serial port of the MINT II or other device. Refer to the instructions for the connected devices.