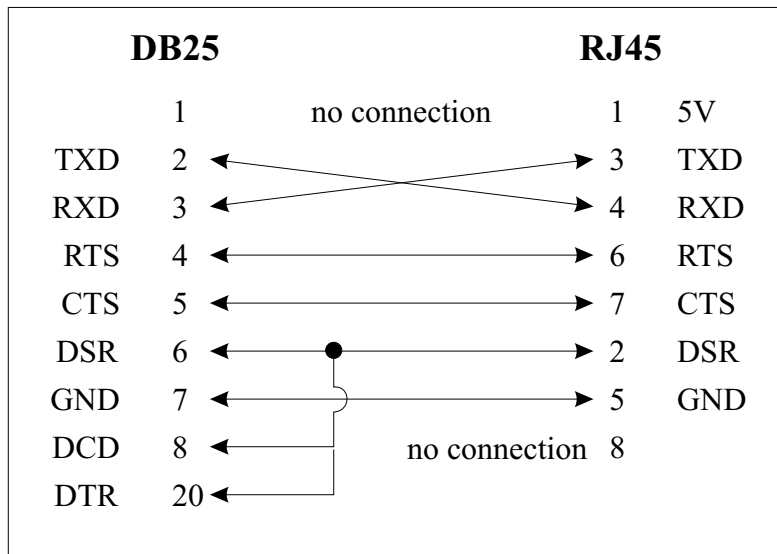


# Niobrara MM6 Cable

The Niobrara MM6 Cable is an RS-232 serial data cable intended to be used to connect a DCE device such as a modem to a Niobrara **DDC2I**. One end of the cable is fitted with an RJ45 plug for connection to a serial port of the DDC2I; the other end terminates in a male DB25 connector for connection to the serial port of the modem or other DCE device.

## Configuration

The pinout for the MM6 is as follows:



## Installation:

Connect the RJ45 end of the MM6 cable to a serial port of the DDC2I or other appropriate device. Connect the 25-pin DB25 end of the adapter to the serial port of the modem or other device. Refer to the instructions for the connected devices.