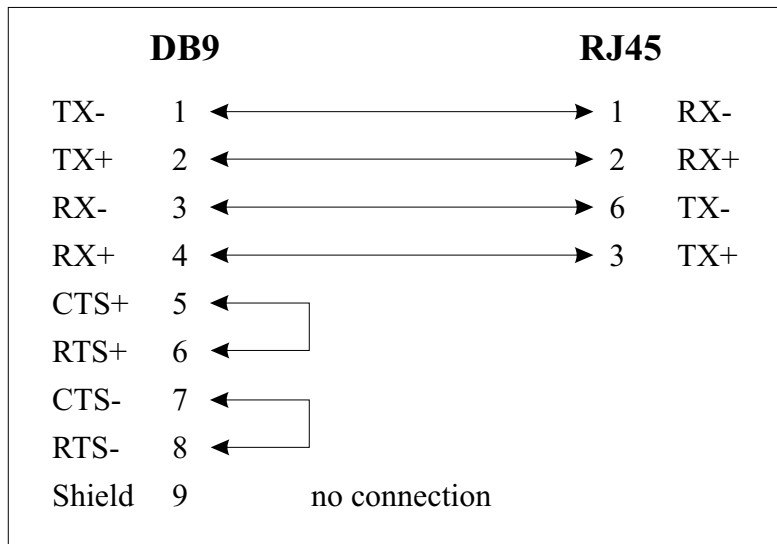


Niobrara MM7 Cable

The Niobrara MM7 Cable is an RS-422 serial data cable intended to connect a Niobrara **QUCM-L** or **QUCM-LE** to a SY/MAX[®] 9-pin female RS-422 port. One end of the cable is fitted with an RJ45 plug for connection to a COMM port of the QUCM; the other end terminates in a male DB9 connector for connection to the SY/MAX port of the other device.

Configuration

The pinout for the MM7 is as follows:



Installation:

Connect the RJ45 end of the MM7 cable to a COMM port of the QUCM. Ensure that the port is switched to RS-422/485 mode. Connect the 9-pin DB9 end of the adapter to the SY/MAX RS-422 port of the other device. Refer to the instructions for the connected devices.

www.niobrara.com