

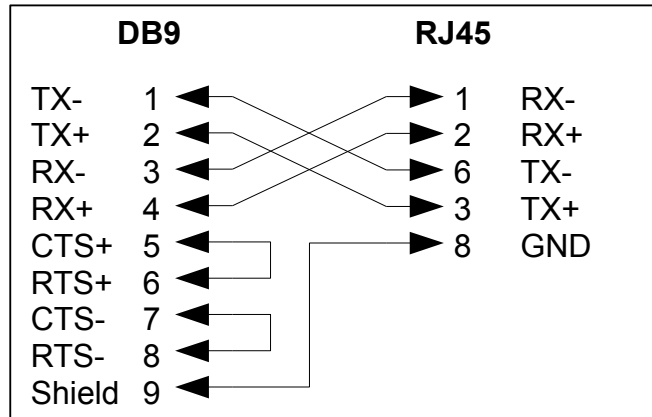


# Niobrara MM8 Cable

The Niobrara MM8 Cable is an RS-422 serial data cable intended to make an RJ45 RS-485 serial port on any applicable Niobrara product appear as a SY/MAX® 9-pin female RS-422 port. One end of the cable is fitted with an RJ45 plug for connection to a COMM port of the QUCM/CUCM; the other end terminates in a female DB9 connector for connection to a SY/MAX cable from another device.

## Configuration

The pinout for the MM8 is as follows:



## Installation:

Connect the RJ45 end of the MM8 cable to a COMM port of the QUCM/CUCM. Ensure that the port is switched to RS-422/485 mode. Connect the 9-pin DB9 end of the adapter to the SY/MAX RS-422 cable from the other device. Refer to the instructions for the connected devices.

[www.niobrara.com](http://www.niobrara.com)